

1965

2009

44 YEARS OF PACKAGING EXCELLENCE

NORMAN

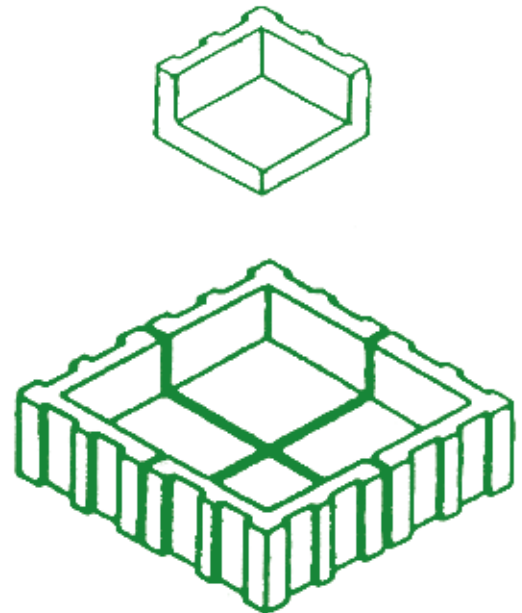
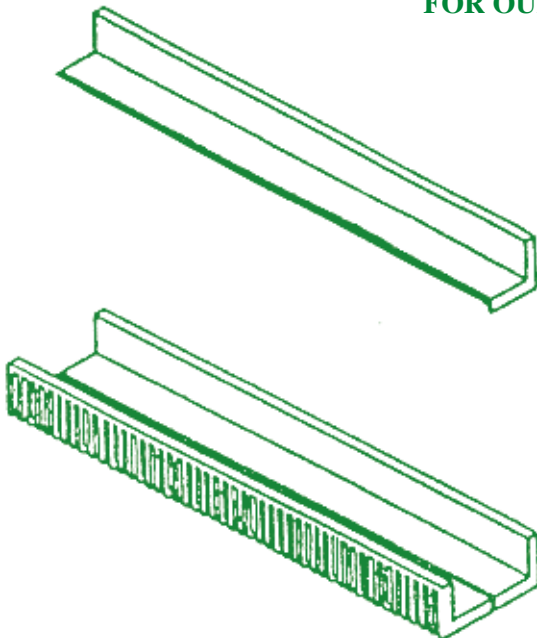
INTERNATIONAL

FOAM DIVISION

4501 S. Santa Fe Avenue • Los Angeles, CA 90058 • TOLL -FREE: 800.289.8644 • www.normaninternational.com • LOS ANGELES AREA: 323.582.7132 • FAX: 323.582.3464

FOAM CATALOGUE

CLICK ON WWW.NORMANINTERNATIONAL.COM
FOR OUR CURRENT CATALOGUES



FOAM PRODUCTS DIVISION

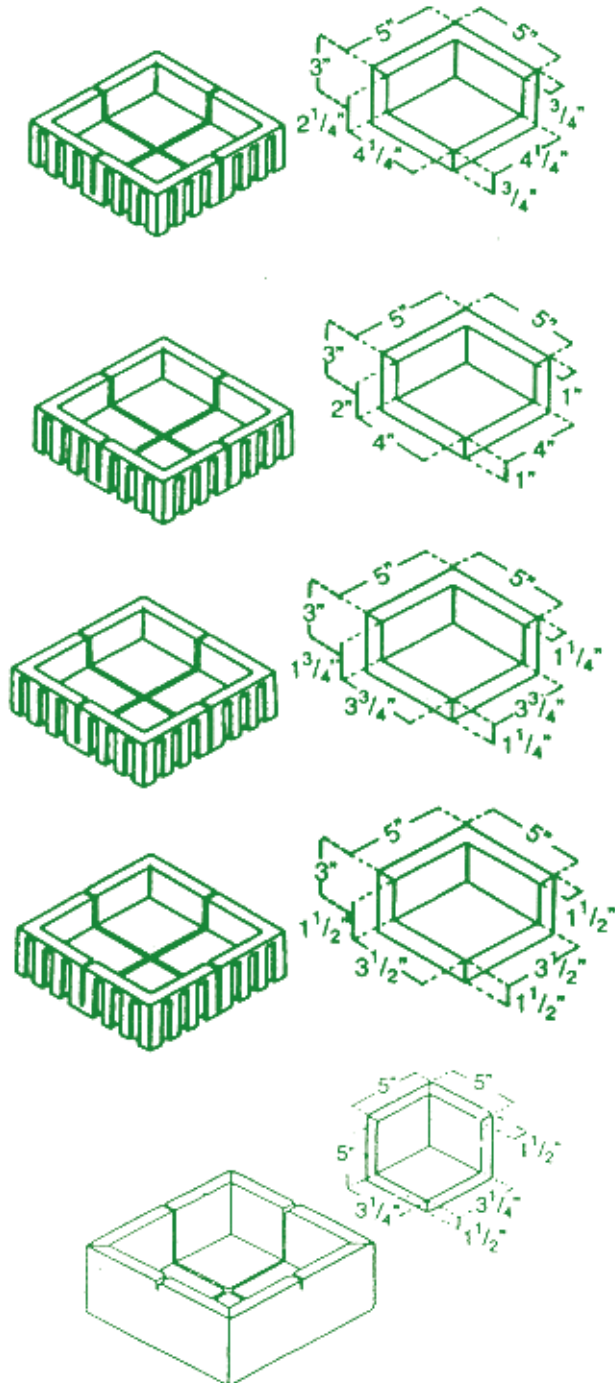
• CORNER PROTECTORS • EDGE PROTECTORS • STOCK EPS SHEETS • FABRICATED FOAM •

CUSTOM FABRICATED ORDERS, WITH SAMPLES READY IN AS LITTLE AS ONE DAY
FABRICATION OF EPS AND POLYETHYLENE AVAILABLE. CALL FOR A QUOTE

SOLD THROUGH DISTRIBUTION • DISTRIBUTED BY:

CALL FOR DISTRIBUTOR IN YOUR AREA

STOCK EPS FOAM CORNER PROTECTORS



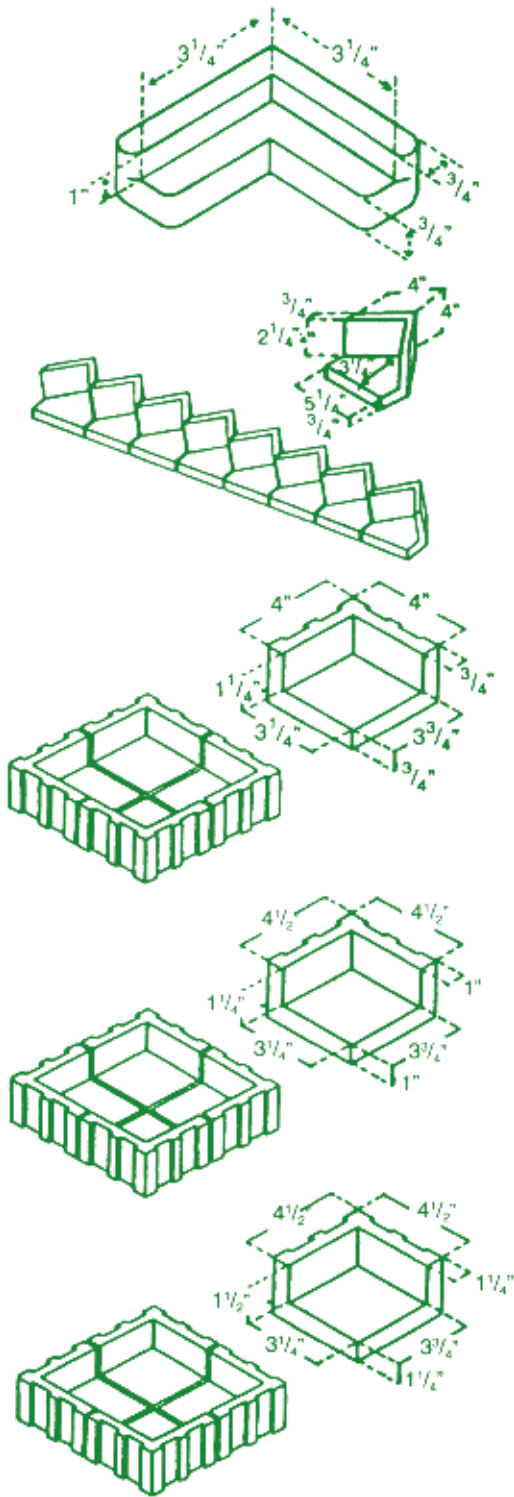
WALL THICKNESS	N.I. PART #	PRODUCT DESC.	CASE PACK
3/4"	1-50-000750	CL300 O.D. 5" X 5" X 3"	600
1"	1-50-001000	CL400 O.D. 5" X 5" X 3"	600
1 1/4"	1-50-001250	CL500 O.D. 5" X 5" X 3"	600
1 1/2"	1-50-001500	CL600 O.D. 5" X 5" X 3"	600
1 1/2"	1-50-005555	CL555 O.D. 5" X 5" X 5"	168

4501 S. Santa Fe Avenue • Los Angeles, CA 90058 • TOLL -FREE: 800.289.8644 • www.normaninternational.com • LOS ANGELES AREA: 323.582.7132 • FAX: 323.582.3464

FABRICATION OF EPS AND POLYETHYLENE AVAILABLE. CALL FOR QUOTE

CLICK ON WWW.NORMANINTERNATIONAL.COM
FOR OUR CURRENT CATALOGUES

STOCK EPS FOAM CORNER PROTECTORS

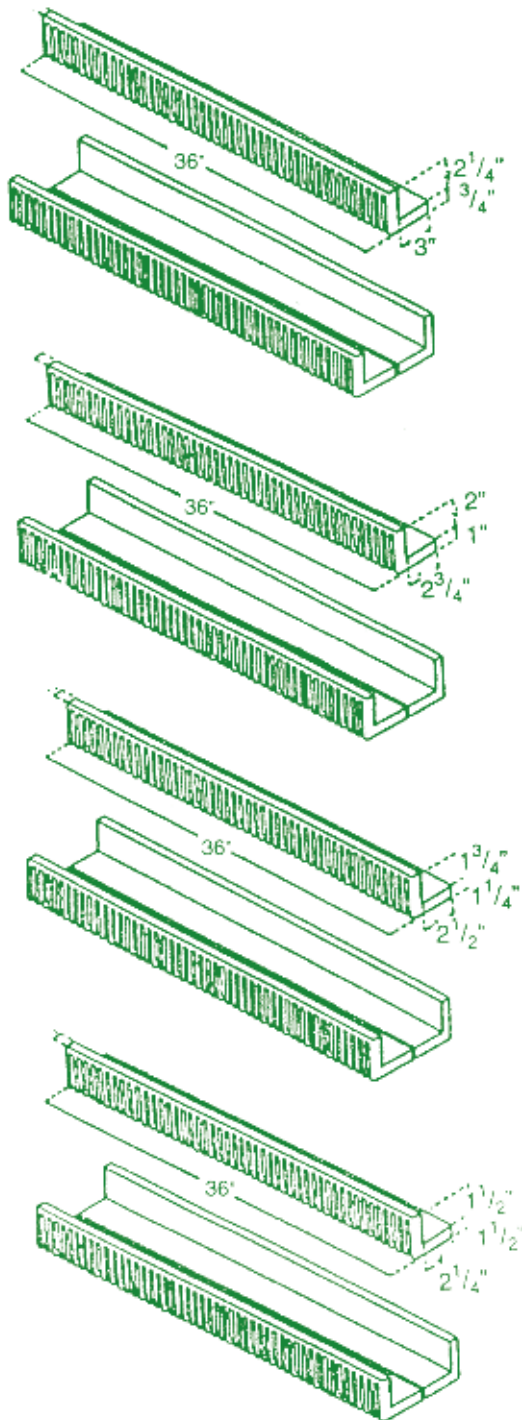


WALL THICKNESS	N.I. PART #	PRODUCT DESC.	CASE PACK
3/4"	1-50-000334	CL334	1600
O.D. 3 1/4" X 3 1/4" X 1 3/4"			
3/4"	1-50-000875	CL875	720
O.D. 4" X 4" X 3"			
3/4"	1-50-000302	CL302 HIGH DENSITY	600
O.D. 4" X 4" X 2"			
1"	1-50-000475-1	CL0475-1	288
O.D. 4 1/2" X 4 1/2" X 2 3/4"			
1 1/4"	1-50-000475-1 1/4	CL0475-1 1/4	288
O.D. 4 1/2" X 4 1/2" X 2 3/4"			

4501 S. Santa Fe Avenue • Los Angeles, CA 90058 • TOLL -FREE: 800.289.8644 • www.normaninternational.com • LOS ANGELES AREA: 323.582.7132 • FAX: 323.582.3464

FABRICATION OF EPS AND POLYETHYLENE AVAILABLE. CALL FOR QUOTE

CLICK ON WWW.NORMANINTERNATIONAL.COM
FOR OUR CURRENT CATALOGUES



STOCK EPS FOAM EDGE PROTECTORS

WALL THICKNESS	N.I. PART #	PRODUCT DESC.	CASE PACK
3/4"	1-50-000075	EP75 O.D. 36" X 3" X 3 3/4"	100
1"	1-50-000100	EP100 O.D. 36" X 3" X 3 3/4"	100
1 1/4"	1-50-000125	EP125 O.D. 36" X 3" X 3 3/4"	100
1 1/2"	1-50-000150	EP150 O.D. 36" X 3" X 3 3/4"	100

ALL EDGE PROTECTORS HAVE BREAK-OFF EVERY 2 INCHES

4501 S. Santa Fe Avenue • Los Angeles, CA 90058 • TOLL -FREE: 800.289.8644 • www.normaninternational.com • LOS ANGELES AREA: 323.582.7132 • FAX: 323.582.3464

FABRICATION OF EPS AND POLYETHYLENE AVAILABLE. CALL FOR QUOTE

CLICK ON WWW.NORMANINTERNATIONAL.COM
FOR OUR CURRENT CATALOGUES